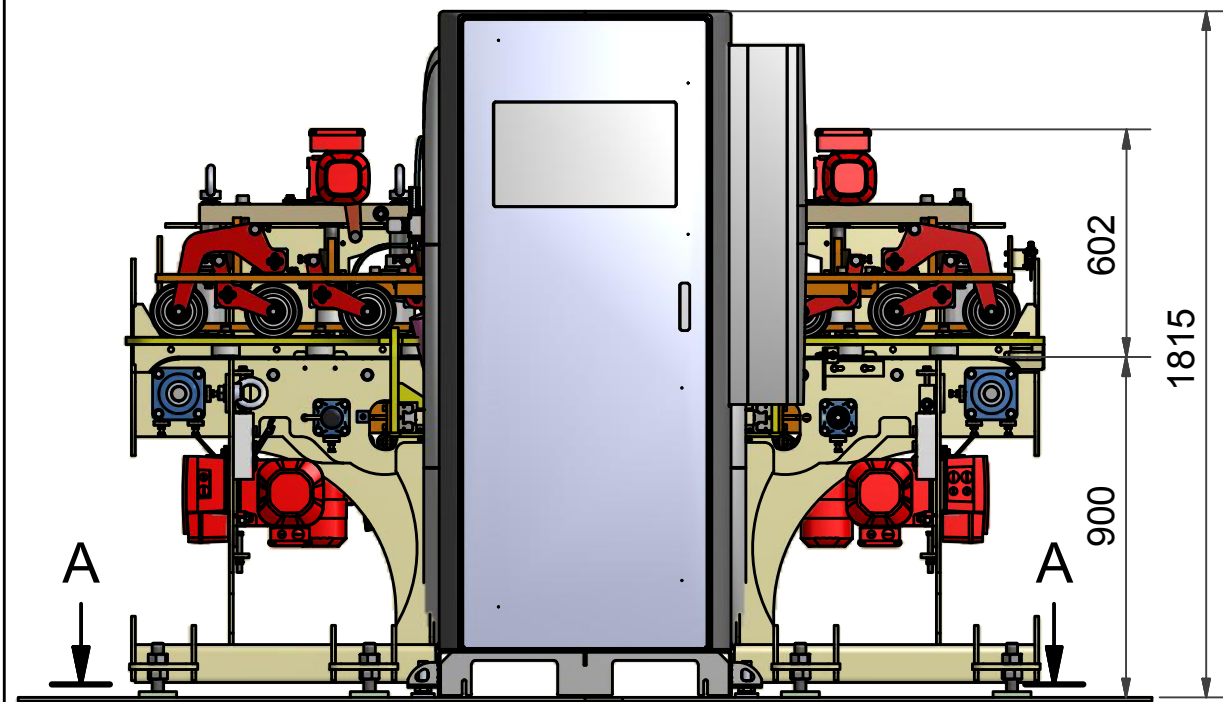
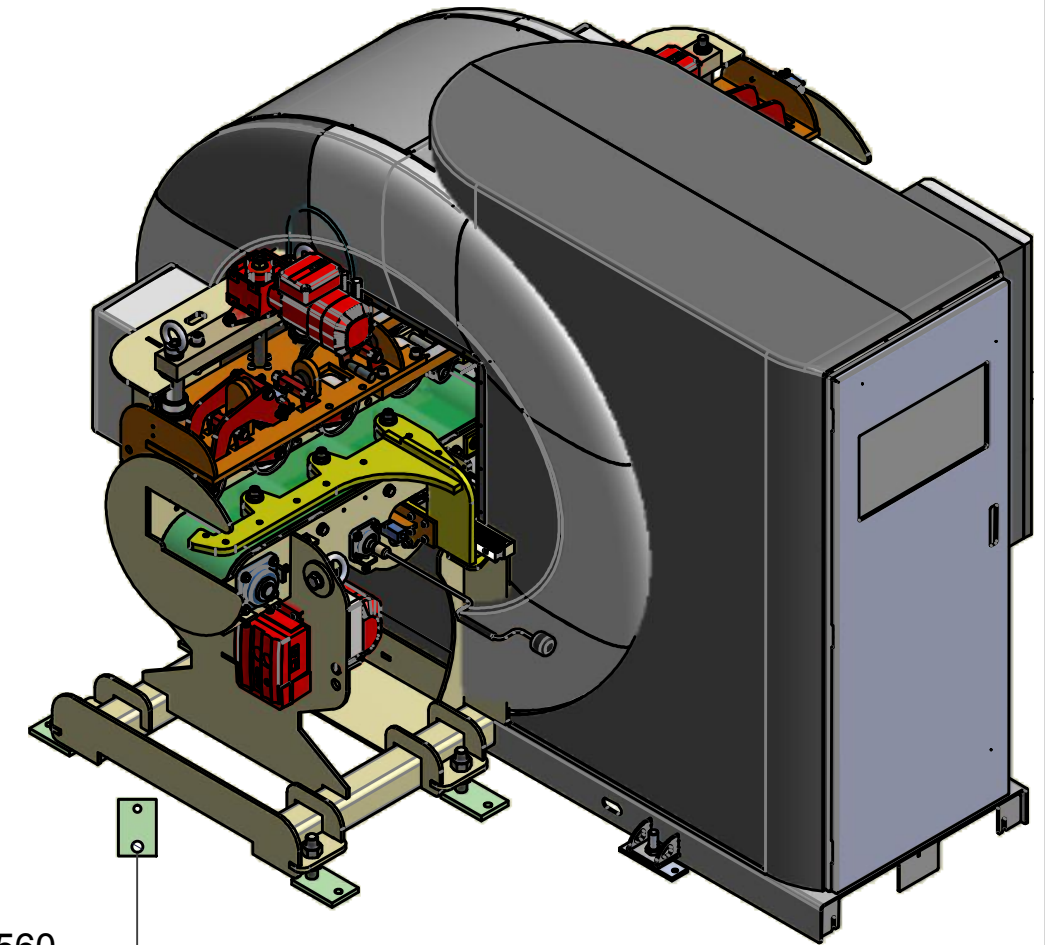


Alla svetsade konstruktioner följer SMS 723A om annat ej anges

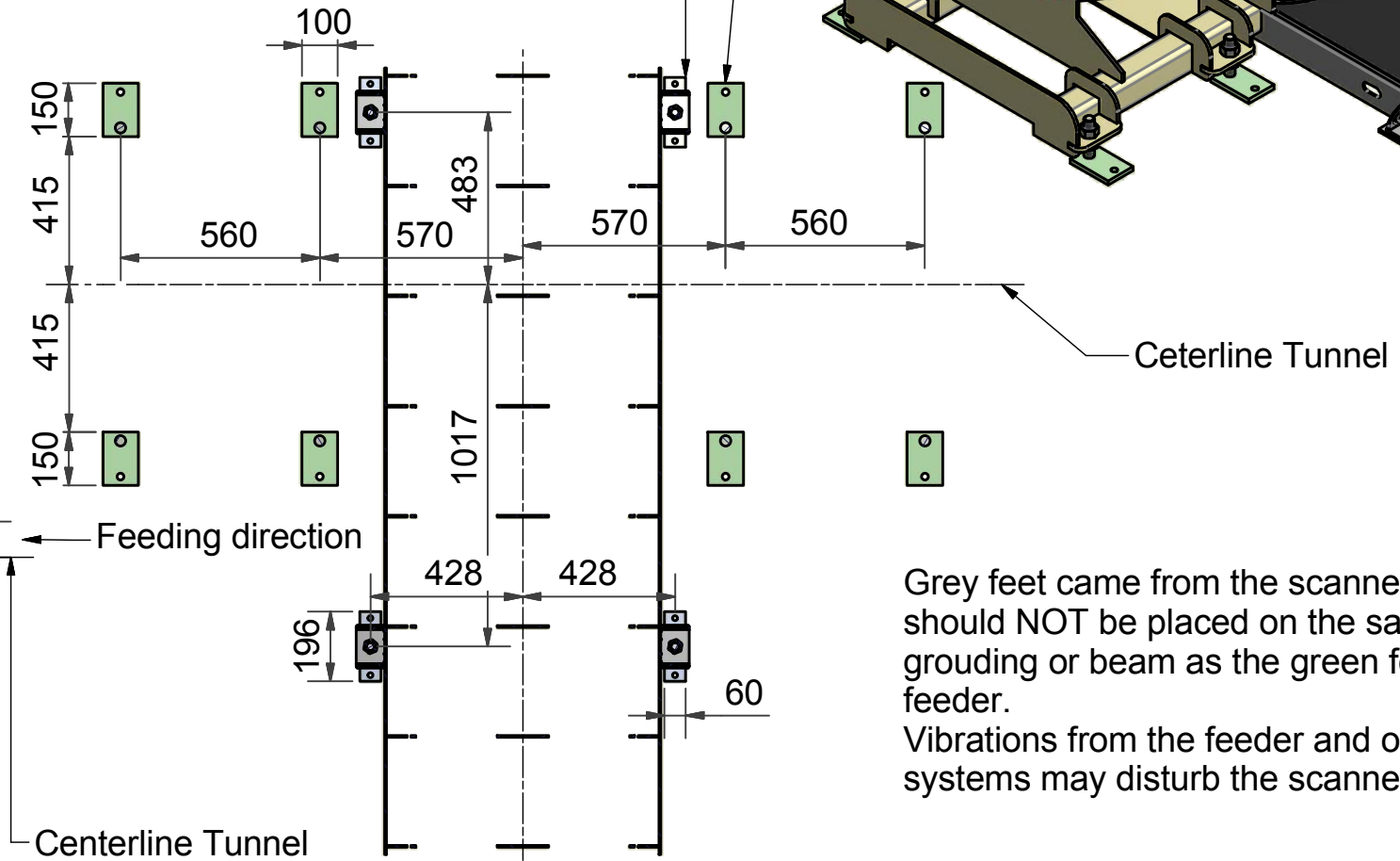
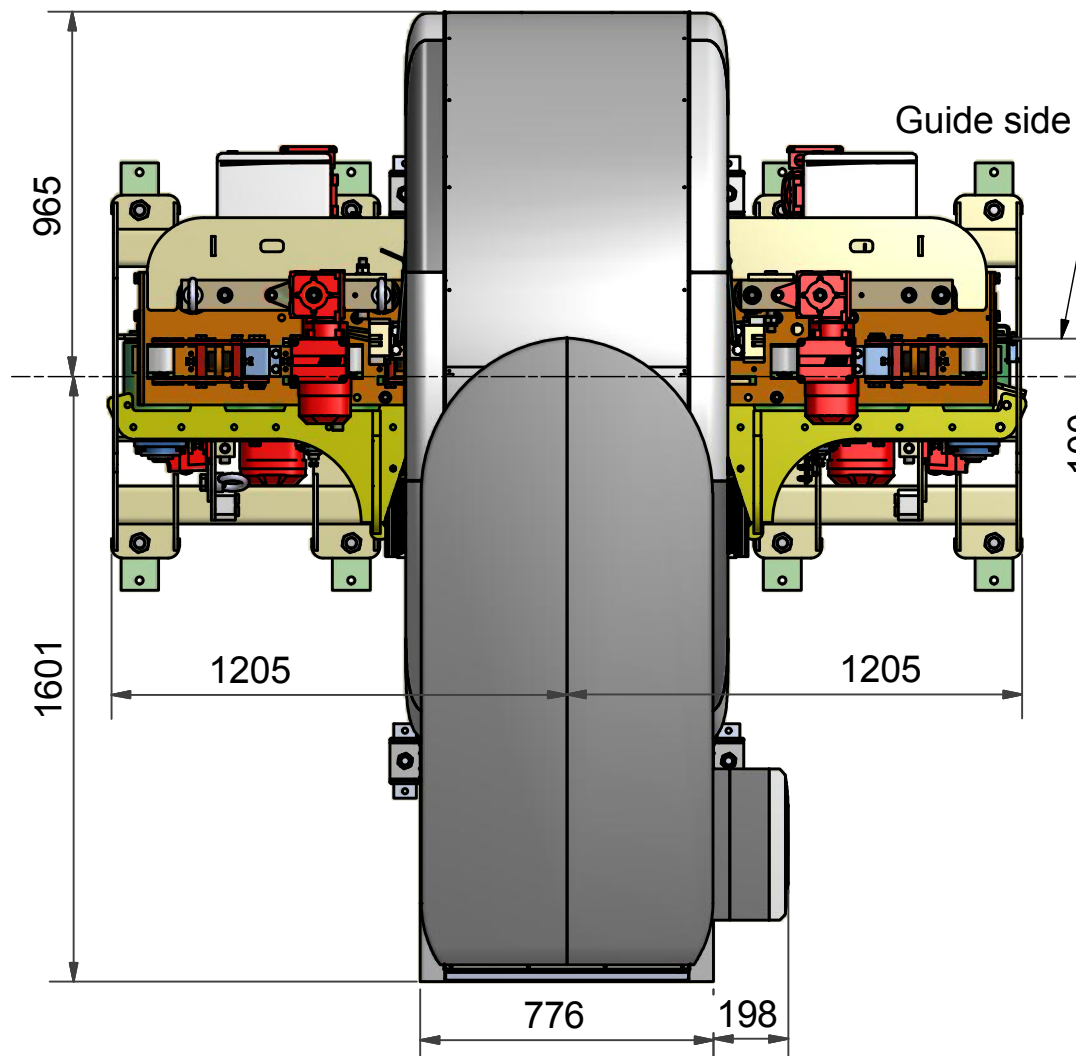


3000 N Static 4000 N Dynamic
Vertikal load on each green foot.

3500 N Static vertikal load
on each of 4 grey feet.



(1 : 20)



Grey feet came from the scanner and should NOT be placed on the same grouting or beam as the green feet from the feeder.
Vibrations from the feeder and other transporting systems may disturb the scanner.

A-A (1 : 20)

WoodEye[®]
by Innovativ Vision

Innovativ Vision AB
Idögatan 10
SE-582 78 LINKÖPING
SWEDEN
Tel: +46 13 460 51 00

RITAT AV
Lst

DATUM
2014-02-11

Layout WoodEye 5B2

SKALA GÄLLER VID
PAPPERSFORMAT

A3

RITNINGSNUMMER

110-832

REVIDERING