



HOLTEC GmbH & Co. KG
Anlagenbau zur Holzbearbeitung
Dommersbach 52
53940 Hellenthal
phone: +49 (0) 2482 / 82-0
fax: +49 (0) 2482 / 82-25
info@holtec.de
www.holtec.de

HOLTEC USA CORPORATION
P.O.Box 2190
FL-33509 Brandon
USA
phone: +1 - 813 / 754 16 65
fax: +1 - 813 / 752 80 42
info@holtecusa.com
http://www.holtecusa.com

BZH
Baljer & Zembrod, HOLTEC S.A.R.L.
Chemin de la Briquerie
Marolles - B.P. 223
F-51361 Vitry-le-Francois
FRANCE
phone: +33 - (0) 3.26.74.63.61
fax: +33 - (0) 3.26.74.07.16
contact@bzh-sarl.com

BZÖ
Baljer & Zembrod GmbH
Aderstrasse 44
A-4850 Timelkam
AUSTRIA
phone: +43 - 7672 / 95 475
fax: +43 - 7672 / 95 254
office@baljer-zembrod.at

HOLMAG
Holzbearbeitungsmaschinen AG
Mauer
CH-3454 Sumiswald
SWITZERLAND
phone: +41 - 34 / 43 12 723
fax: +41 - 34 / 43 11 262
info@holmag.ch
http://www.holmag.ch

RIVER DEE MACHINERY LTD.
The Old Telephone Exchange
Whitchurch Road
Bangor on Dee LI13 OAY
GREAT BRITAIN
phone: +44 - 19 78 / 780 920
fax: +44 - 19 78 / 780 900
sales@riverdee.net
http://www.riverdee.net

SAGSPECIALISTEN AB
Soldatorpsgatan 12
S-55474 JÖNKÖPPING
SWEDEN
phone: +46 - 36 / 396 690
fax: +46 - 36 / 138 888
info@sagspecialisten.se
http://www.sagspecialisten.se

HOLTEC TIMBER TECHNOLOGY
P.O.Box 159
West Park Village
NZ-1008 Auckland
NEW ZEALAND
phone: +64 - 9 41682 94
fax: +64 - 9 41682 96
sales@holtec.org
http://www.holtec.co.nz

A. FALKENBERG EFTF.AS
Billingstadsletta 30
NO-1377 Billingstad
NORWAY
phone: +47 - 66 77 89 00
fax: +47 - 66 77 89 01
info@falkenberg.no
http://www.falkenberg.no

PENOPE OY
Tupalankatu 9
FIN-15680 Lahti
FINLAND
phone: +358 - 3 87 87 0
fax: +358 - 3 87 87 500
info@penope.fi
http://www.penope.fi

SIA OBERTS
Marupites Gatve 9a
Rigas raj.
LV-2167 Marupes Pag
LATVIA
phone: +371 - 6781 0666
fax: +371 - 6781 0655
andris@oberts.lv
http://www.oberts.lv

PFZ
Przedstawicielstwo Firm
Zagranicznych
Kubiak-Wasilewski s.c.
ul. Opolska 33
PL-91-604 Lodz
POLAND
phone1: +48 - 42 6 508 637
phone2: +48 - 42 6 339 932
Mobil: +48 - 601 299 933
jacek@pfz.pol.pl
http://www.holtec.republika.pl

HOLTEC Representative RUSSIA
Ekaterina Chernobrovaya
Sankt Petersburg
RUSSIA
phone: +7 - 495 988 28 84
fax: +49 - 2482 / 8225
echernobrovaya@holtec-online.de
http://www.holtec-stanki.ru

**NEW CENTURY SAWMILL
SOLUTIONS PTY LTD.**
P.O. Box 10840
ZA-0046 Centurion
SOUTH AFRICA
phone: +27 - 12 6633 885
fax: +27 - 12 6638 975
info@newsaw.co.za

MAMA TECHNOLOGY LTD.
Import & Marketing Machines
1 Shfaraamstr.
Nazareth 16000
ISRAEL
phone: +972 - 524 265 800
fax: +972 - 465 565 62
mama.technology@hotmail.com

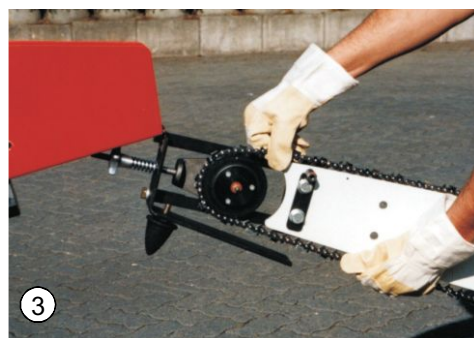
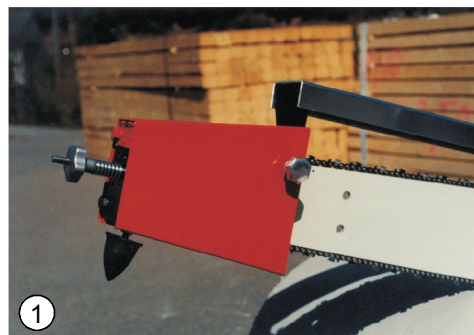
J. MANUEL CASANOVA
C./Font De La Fusta, 8
08415 Bigues I Riells (Barcelona)
SPAIN
phone: +34 - 93 8 657 552
fax: +34 - 93 8 656 129
jm59@telefonica.net

Wood First, Lda
Rua do Sindico N° 53
3810-805 OLIVEIRINHA / AVEIRO
PORTUGAL
phone: +351 - 234 - 942530
fax: +351 - 234 - 942530
virgilio.pereira@woodfirst.pt

Stand 7/2011

Piccolo | Mobile
Package
crosscut saw





- ① Cutting assembly with 6 mm thick, completely stellite armoured guide bar and **STIHL**-0.404" chipper chain.
- ② Separate drive for lubrication oil pump - this guarantees a constant lubrication under all conditions. Lubricant tank sufficient for approx. 4 h operation time.
- ③ Simple chain replacement without additional tools.
- ④ Light execution, modern design. Suitable for cross sections of 1.15 m x 1.15 m.

Piccolo | Mobile Package crosscut saw



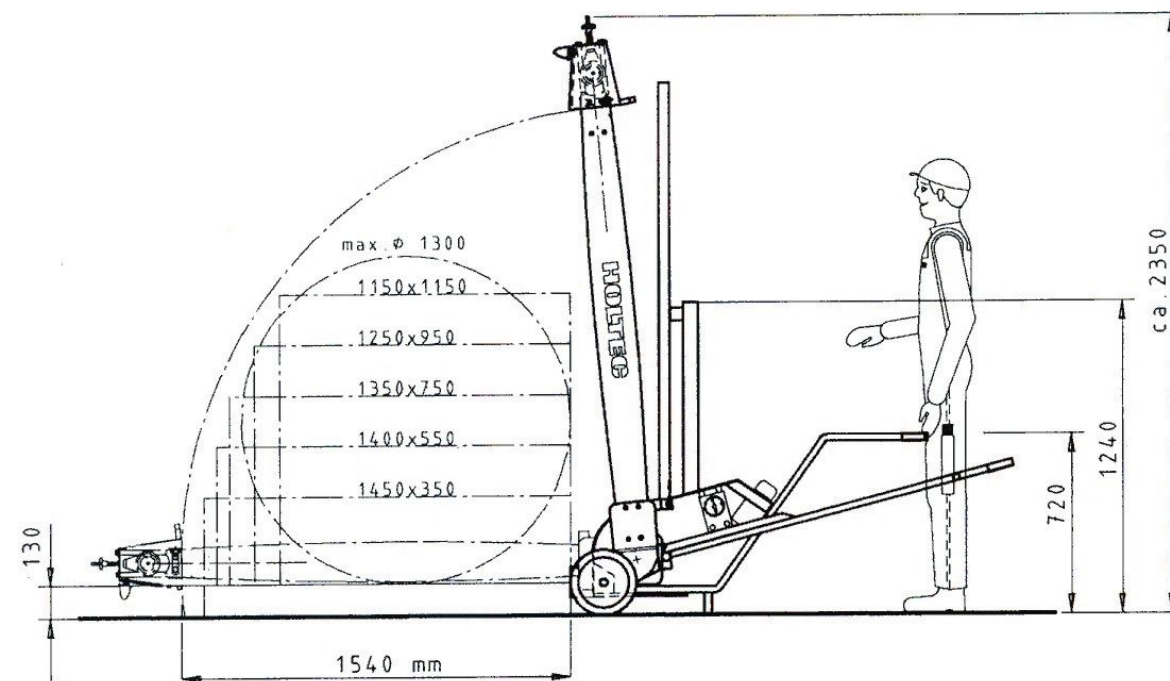
Our smallest model - but at cutting a quite great one

Handy, precise and flexible in use - that is the Piccolo. It should not be missing on any timber yard!

The cutting assembly with **STIHL**-chain 0.404" for extreme smooth surfaces and cuts with narrow cutting kerf provides a lot of advantages:

- Higher cutting performances by faster chain speed and less cutting time
- less sawdust
- optimal price-performance ratio

Technical specifications



Subject to technical amendments. All dimensions without commitment.

Dimensions in mm

- Everything from one source
Machine, cutting assembly and service
- Worldwide experience
- Reliably by quality and experience
- CE-conform execution
- Electric motor 7,5 kW 400V/50Hz



- ⑤ Easy handling and low power requirement during cutting process. Pneumatic tires and 3-fold machine supports guarantee exact positioning and an angularly cut - under nearly all conditions. Available with pneumatic tires or solid tires.
- ⑥ Suitable for cutting logs, paper reels, plastic pipes etc., too.

PACKAGE CROSSCUT SAWS